



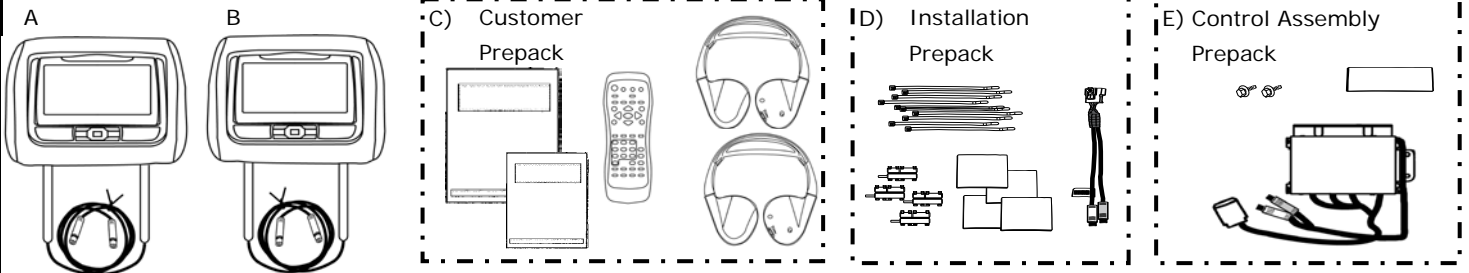
GENUINE PARTS

INSTALLATION INSTRUCTIONS

DESCRIPTION:	DUAL DVD HEADRESTRAINT MONITOR
APPLICATION:	Pathfinder - (2014 Above S grade, without factory FES, and VINs ending in less than 650298)
PART NUMBER:	Dual DVD Headreststraint Monitor Cloth, (G;1) Charcoal - 999U8 XZ005 Dual DVD Headreststraint Monitor Cloth, (H;1) Almond - 999U8 XZ006

KIT CONTENTS:

Item	Qty.	Part Description	Service Part Number
A	1	DVD Headreststraint Monitor, (DR)	See Service Part Number list at end of manual
B	1	DVD Headreststraint Monitor, (AS)	
C	1	Customer Prepack	
	2	• Wireless Headphones w/Batteries	
	1	• Remote Control w/Batteries	
	1	• Owner's Manual	
	3	• Quick Reference Guide	
D	1	Installation Prepack	
	16	• Cable Tie	
	4	• Security Clamp	
	4	• Foam Tape Strip	
	1	• 16-Pin Jumper Harness, Driver	
E	1	Control Assembly Prepack	
	1	• Mylar Tape	
	2	• M6 Flange Bolt	



TOOLS REQUIRED:

- Socket, Short Swivel, 10mm
- Ratchet, 1/4" Drive
- Torque Wrench
- Plastic Removal Tool
- Diagonal Cutters
- Ratchet Extension, 1/4" drive, 6" long
- Consult 3+, ASIST Tool

Please call Invision Tech-line help at 866-869-7888 for any installation, repair or warranty assistance.

PRE-INSTALLATION WARNINGS, CAUTIONS, CRITICAL STEPS, and NOTES:

NOTE: This is a common installation kit so all parts may not be used.

PRE-INSTALLATION WARNINGS, CAUTIONS, CRITICAL STEPS, and NOTES: (continued)

⚠ CAUTION

- **Caution Dealer installation ONLY.**
- **Caution** Cut the excess cable tie(s) as flush with the head as possible. Face head of cable tie away from sheet metal and other objects.
- **Caution** Use caution when removing/re-installing interior components to avoid damage, scratches, or breaking of mounting clips.
- **Caution** Ensure the Owner's Manual and Quick Reference Guide are placed in the vehicle glove box.

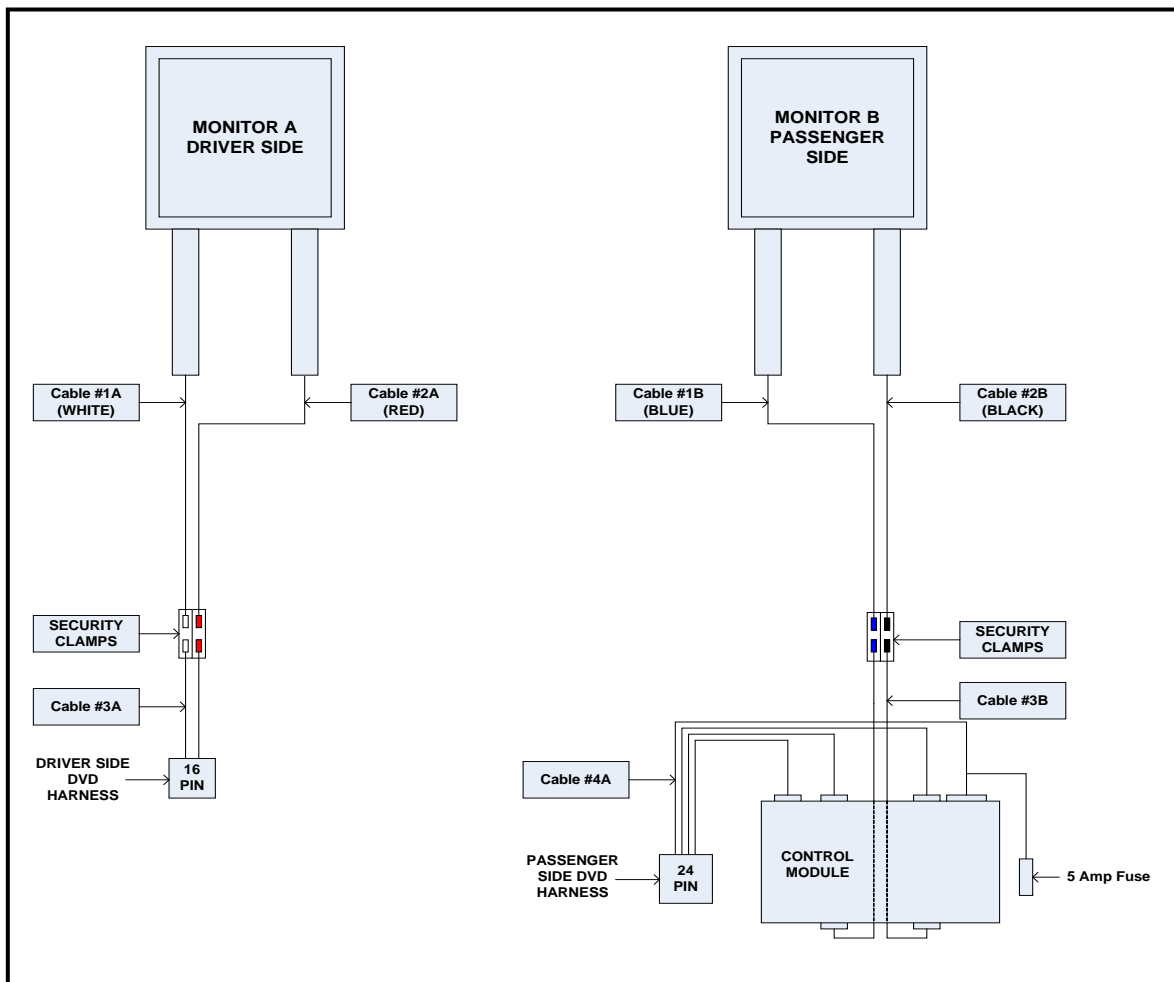
⚠ CAUTION

Critical Steps: The following steps are critical and must be performed **EXACTLY** as specified to ensure proper installation.

- Critical Step 1. All Cable and Harness routing instructions need to be followed as described to avoid interferences or system failure.
- Critical Step 2. Ensure headrests are set to the highest position when routing the cables to connect to the control module assembly.

INSTALLATION OVERVIEW:

System Block Diagram



VEHICLE PREPARATION PROCEDURE:

- 1) Apply parking brake.
- 2) Confirm the vehicle is no longer in the default shipping state (Extended Storage Switch Pulled Up and BCM in Transit Mode). Failure to confirm the vehicle has been removed from this state will result in the loss of normal vehicle operation. The confirmation requires two checks:

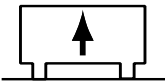
2a) Locate the Extended Storage Switch in the cabin fuse block. Once located, check that it is in the "Customer" position. See below for reference.

2b) Turn the ignition switch from "OFF" to "ON" position. If turn indicators illuminate for approx. 1 minute, the vehicle is in shipping mode. To exit shipping mode, return the ignition switch to "OFF" position. Simultaneously push the wiper and turn signal stalks downward and hold for 2 seconds.

Inventory Condition

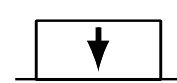
Customer

PULL UP

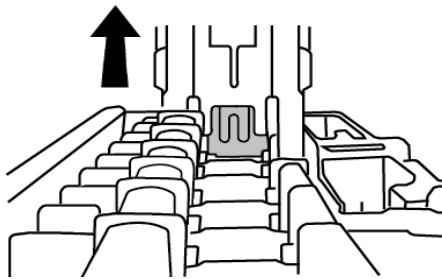
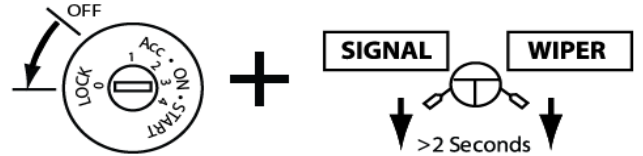


INCORRECT

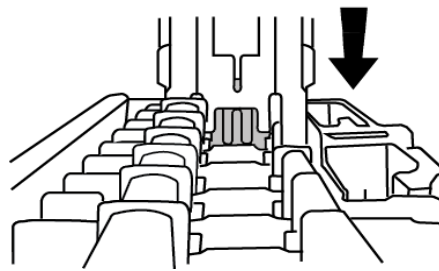
PUSH DOWN



CORRECT



INVENTORY - UP



CUSTOMER - DOWN

NOTE:

Typical vehicle condition shown above. Switch is easily identifiable by the permanent, push-pull fuse holder. Actual position on the fuse block may vary, vehicle to vehicle.

- 3) Turn ignition switch to "ON" position.
- 4) Record the customer radio presets and other presets as required.

Preset	1	1	2	3	4	5	6	7
A								
B								
C								

- 5) Put shift lever in "P" position for A/T and CVT or "1st" for M/T.
- 6) Turn ignition switch to "OFF" position.
- 7) Open the engine hood.

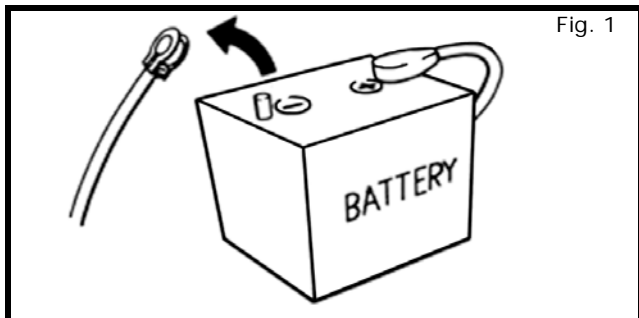
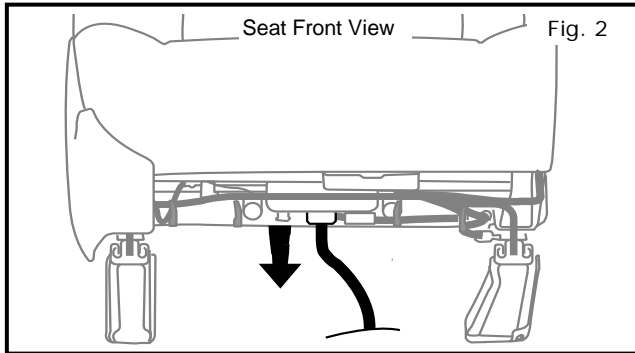


Fig. 1

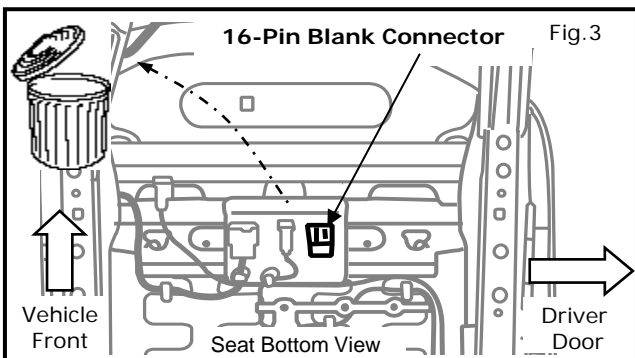
- 8) Disconnect negative battery terminal to prevent short circuits during installation procedure. Figure 1
 - a) Set power seats to Full Up and Rearward positions.
 - b) Disconnect negative battery terminal.

VEHICLE PREPARATION PROCEDURE: (continued)

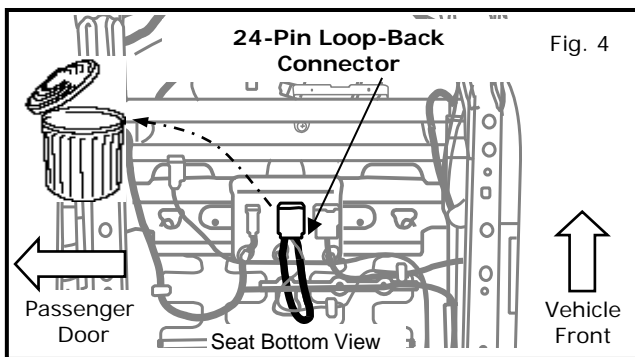
NOTE: Use caution when removing interior components to avoid damage, scratches, or breaking of mounting clips. Refer to the vehicle specific service manual for more information



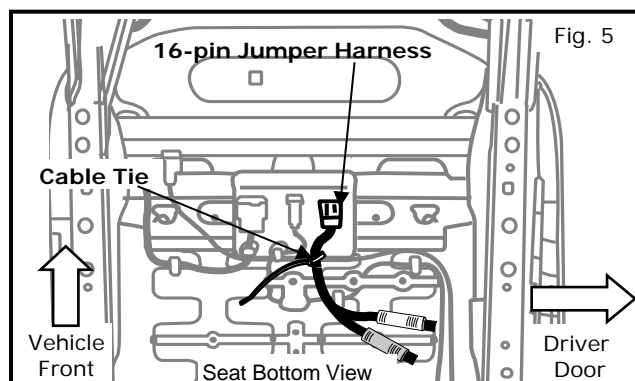
- 9) Disconnect the factory prewire harness from the front seats. Figure 2
- a) Disconnect factory prewire harness from blank connector under **Driver** front seat.
 - b) Disconnect factory prewire harness from loop-back connector under Passenger front seat.



- 10) Using a plastic pry tool, remove and dispose of 16-Pin blank connector under **Driver** front seat bottom. Figure 3



- 11) Using a plastic pry tool, remove and dispose of 24-Pin loop-back connector under **Passenger** front seat. Figure 4



- 12) Install 16-pin jumper harness under **Driver** front seat, by pressing harness attachment clip into two holes where blank connector was attached and secure with one cable tie. Figure 5

NOTE: Do not connect vehicle prewire harness to 16-pin jumper harness until step 17.2

VEHICLE PREPARATION PROCEDURE: (continued)

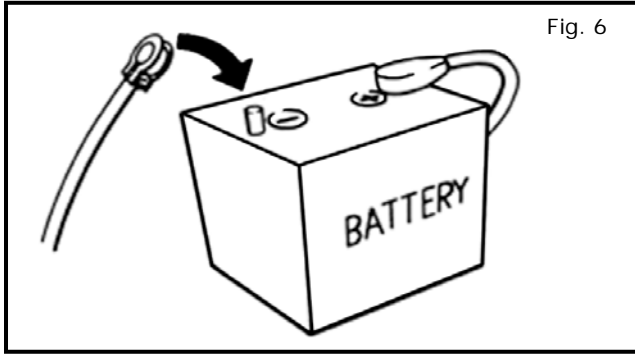
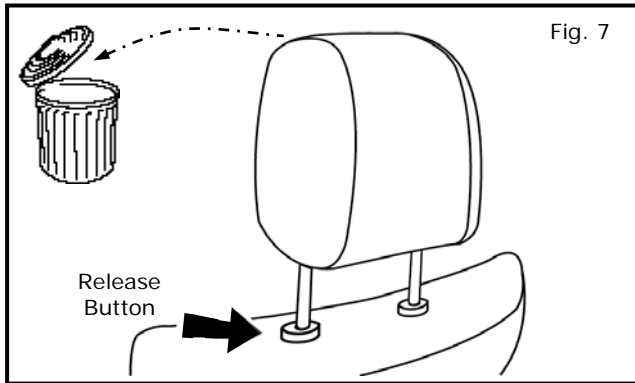


Fig. 6

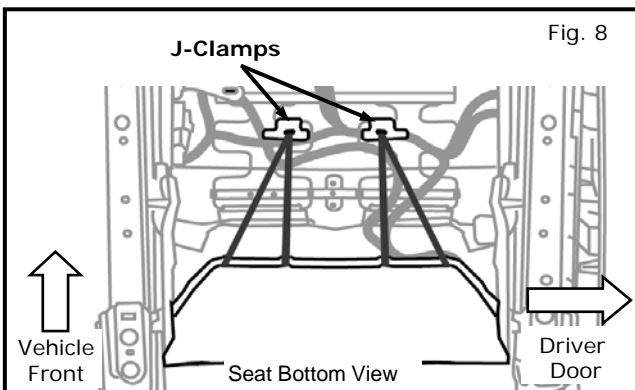
- 13) Reconnect negative battery terminal. Figure 6
- 14) Adjust seats to Full Up and Forward positions.

INSTALLATION PROCEDURE: DRIVER SIDE

15) Driver Side DVD Headrest Installation



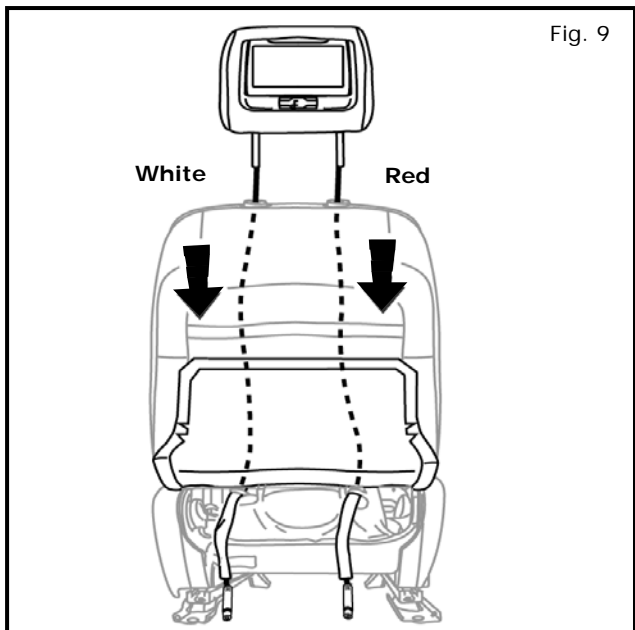
- 15.1) Remove and dispose of **Driver** headrest by pressing release button on seat post guide, and pulling up on headrest. Figure 7



- 15.2) Disconnect two j-clamps holding seat back apron to underside of **Driver** seat. Figure 8

NOTE: Use caution when inserting the DVD headrest posts to prevent damage/scratching of seat post guides and seating surface.

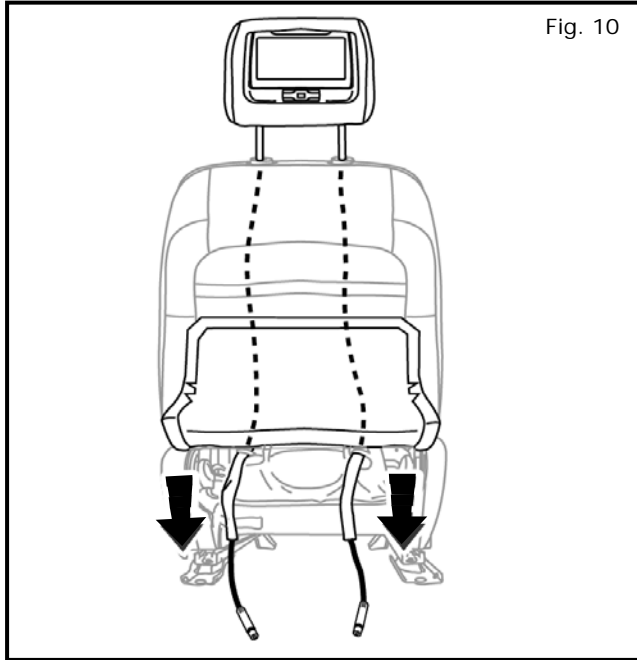
NOTE: Verify headrest material and color.



- 15.3) Insert **Driver** DVD headrest cables (white / red) into seat post guide holes of **Driver** seat as shown. Continue routing cables down through seat back and out of seat bottom. Figure 9

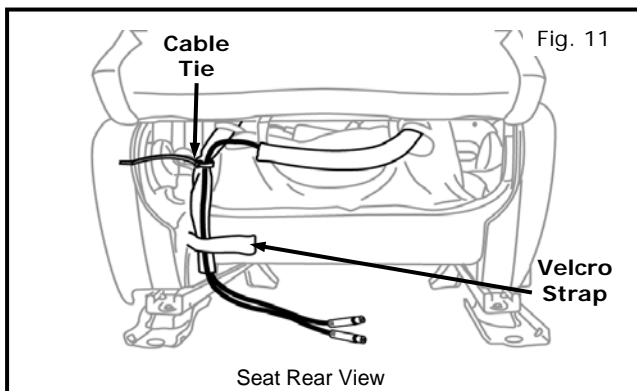
NOTE: When installing driver DVD headrest cables, it is important that DVD screen is positioned correctly. DVD screen must face rearward.

INSTALLATION PROCEDURE: DRIVER SIDE (continued)



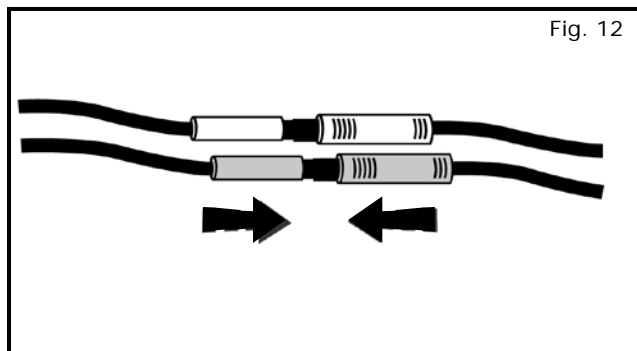
- 15.4) Insert **Driver** DVD headrest posts into seat post guides. Lock DVD headrest into its highest position (last notch). Figure 10
- 15.5) Pull on two headrest cables from seat bottom to remove all slack. Figure 10

NOTE: Before tightening wire ties, reconnect battery and exercise seat to ensure wiring does not interfere with seat movement. Disconnect battery when complete.



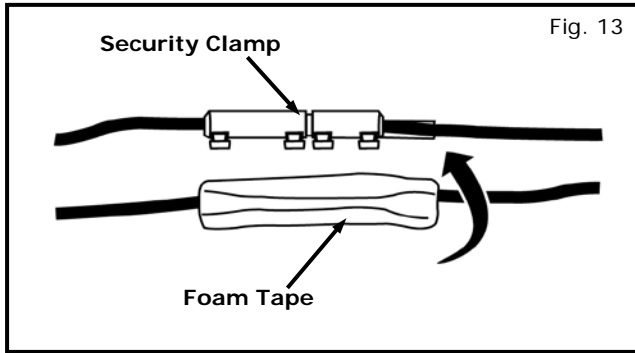
- 15.6) Group two headrest cables to outboard side of vehicle by routing cable with red barrel connector toward cable with white barrel connector. Secure cables to seat harness using one cable tie as shown. Figure 11
- 15.7) Continue routing two headrest cables down and under seat. Secure cables using existing seat bottom Velcro strap. Figure 11

NOTE: Perform cable connection steps, 15.8 through 15.11, as noted to install DVD Headrest correctly for proper operation.



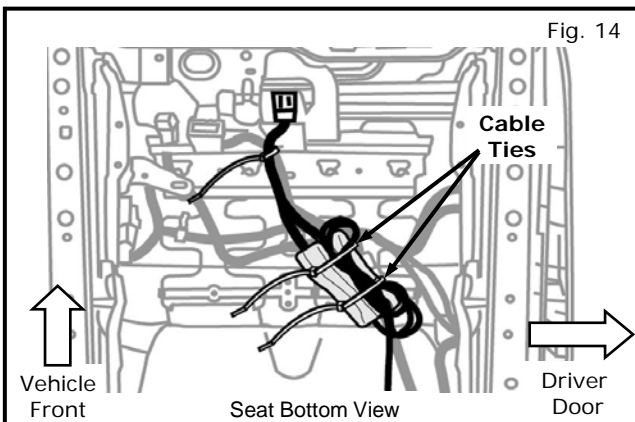
- 15.8) Continue routing two headrest cables toward front of vehicle. Connect red and white barrel connectors to matching red and white barrel connectors of 16-pin jumper harness. Figure 12

INSTALLATION PROCEDURE: DRIVER SIDE (continued)



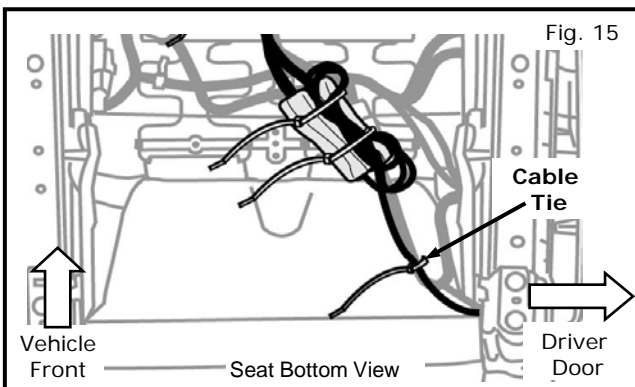
15.9) Secure barrel connectors using two security clamps. Place red barrel connectors into one security clamp and lock closed. Place white barrel connectors into second security clamp and lock closed. Figure 13

15.10) Apply one piece of foam tape over each security clamp. Figure 13



15.11) Use two cable ties to secure cable security clamps, cables and cable slack to factory harness. Figure 14

- a) Group two security clamps and cable slack together with factory harness.
- c) Use one cable tie on each side of security clamps (about 1/2" from foam tape ends) to secure.



15.12) Use one cable tie to secure cables to factory harness. Figure 15

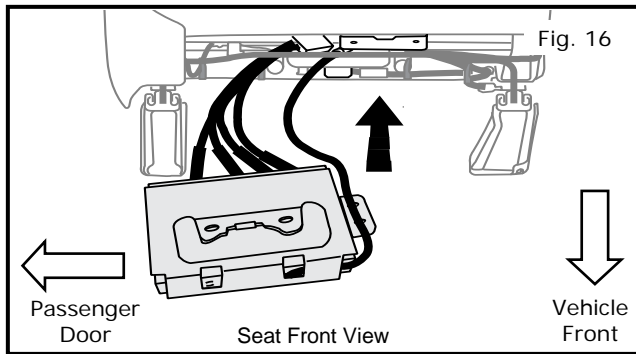
15.13) Using diagonal cutters, cut all excess wire ties.

15.14) Reattach seat apron j-clamps.

NOTE: Do not connect vehicle prewire harness to 16-pin jumper harness until step 17.2

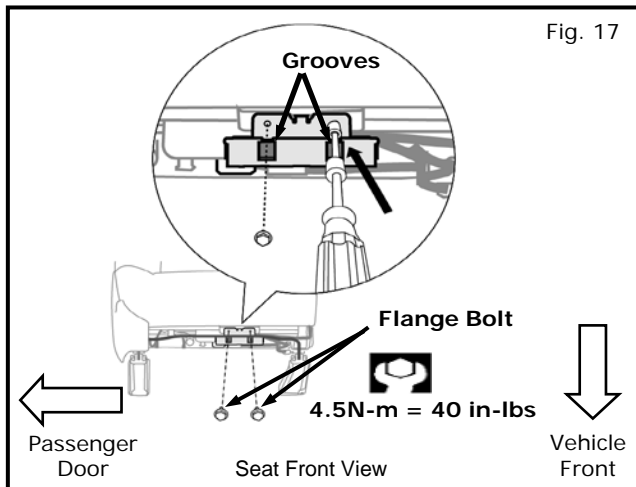
15.15) Continue to **Passenger** Side DVD Headrest Installation Procedure Step 16.

INSTALLATION PROCEDURE: PASSENGER SIDE

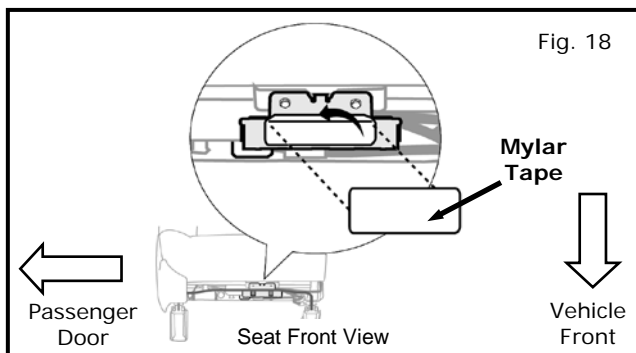


16) Passenger Side DVD Headrest Installation

- 16.1) Adjust **Passenger** seat to Full Up and Rearward positions.
- 16.2) Place control module / bracket assembly into location shown. Figure 16

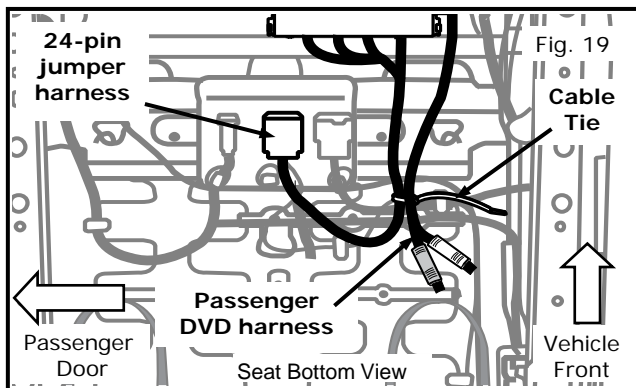


- 16.3) Install two M6 flange bolts using a ratchet, a 6" long 1/4" drive extension and a 10mm short swivel socket to tighten two flange bolts.
 - a) Angle ratchet and extension through installation grooves in bracket. Figure 17
 - b) Tighten flange bolts (4.5N-m = 40 in-lbs). Figure 17



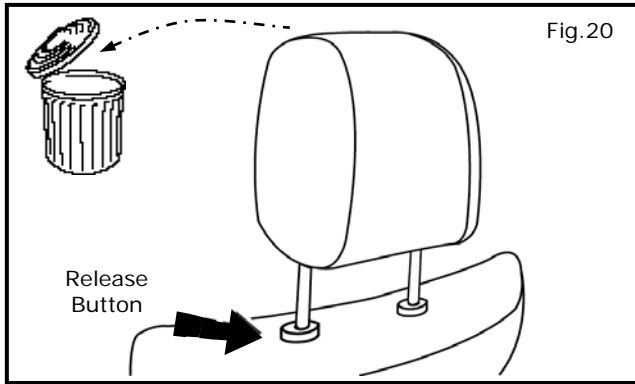
- 16.4) Apply protective Mylar tape on bracket edge covering two installation grooves. Figure 18
- 16.5) Adjust **Passenger** seat to Full Up and Forward position.

NOTE: Before tightening wire ties, reconnect battery and exercise seat to ensure wiring does not interfere with seat movement. Disconnect battery when complete.

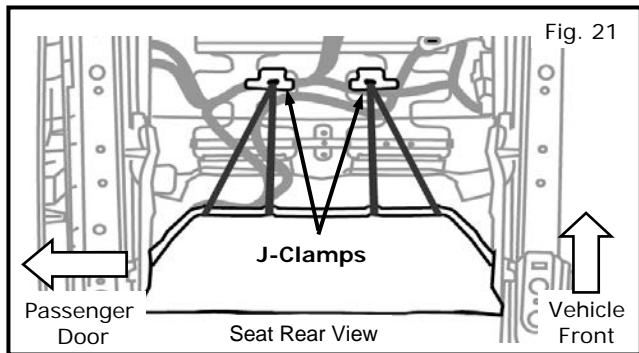


- 16.6) Install 24-pin jumper harness under **Passenger** seat by pressing harness attachment clip into two holes where loop-back connector was attached. Figure 19
 - NOTE: Do not connect vehicle prewire harness to 24-pin jumper harness until step 17.3**
- 16.7) Using one cable tie, secure Passenger DVD harness to factory harness as shown. Figure 19

INSTALLATION PROCEDURE: PASSENGER SIDE (continued)

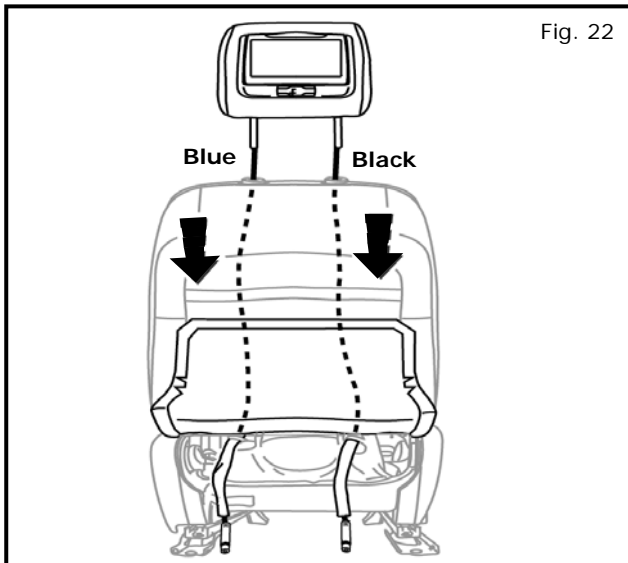


- 16.8) Remove and dispose of Passenger headrest by pressing release button on seat post guide, and pulling up on headrest. Figure 20



- 16.9) Disconnect two j-clamps holding seat back apron to underside of **Passenger** seat. Figure 21

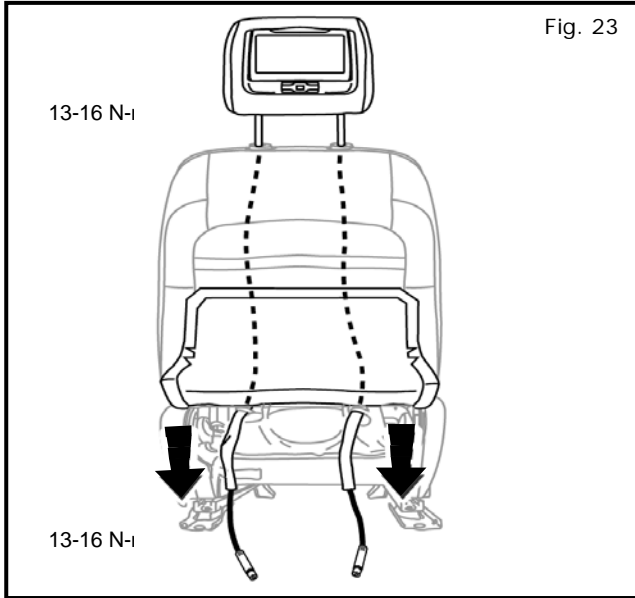
NOTE: Use caution when inserting the DVD headrest posts to prevent damage/scratching of seat post guides and seating surface.



- 16.10) Insert **Passenger** DVD headrest cables (blue / black) into seat post guide holes of **Passenger** seat as shown. Continue routing cable down through seat back and out through bottom of seat. Figure 22

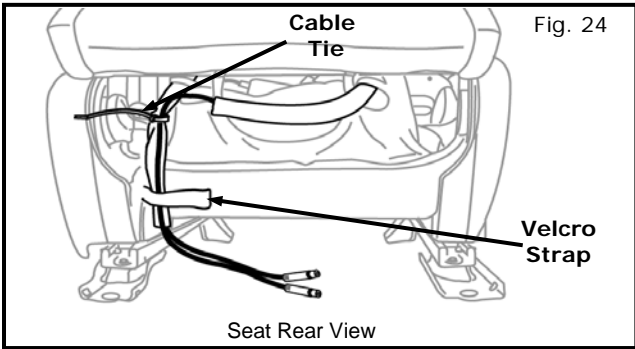
NOTE: When installing passenger DVD headrest cables, it is important that DVD screen is positioned correctly. DVD screen must face rearward.

INSTALLATION PROCEDURE: PASSENGER SIDE (continued)



16.11) Insert **Passenger** DVD headrest posts into seat post guides. Lock DVD headrest into its highest position (last notch). Figure 23

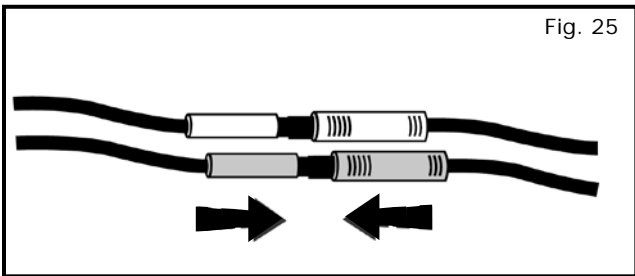
16.12) Pull on two headrest cables from seat bottom to remove all slack. Figure 23



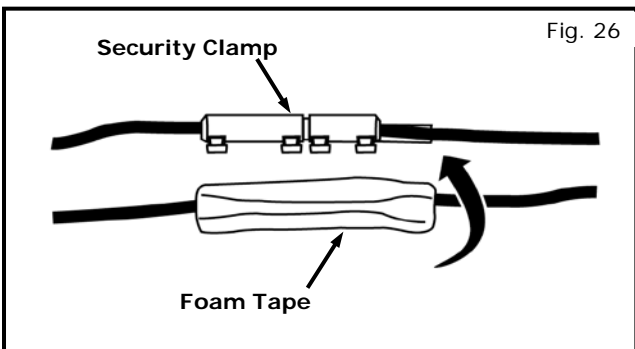
16.13) Group two headrest cables to inboard side of vehicle by routing cable with black barrel connector toward cable with blue barrel connector. Secure cables to seat harness using one cable tie as shown. Figure 24

16.14) Continue routing two headrest cables down and under seat. Secure cables using existing seat bottom Velcro strap. Figure 24

NOTE: Perform cable connection steps, 16.15 through 16.18, as noted to install DVD Headrest correctly for proper operation.



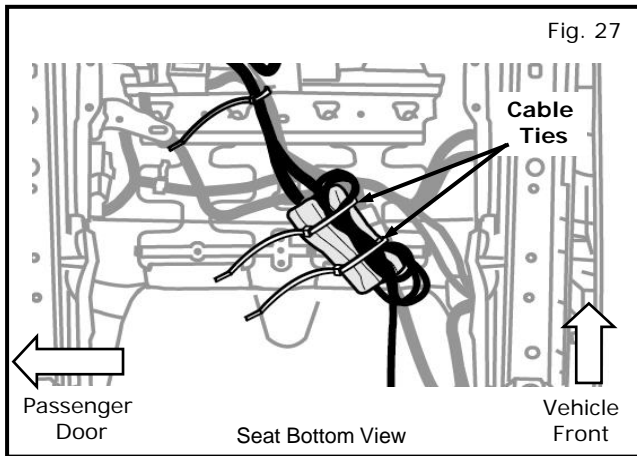
16.15) Continue routing two headrest cables toward front of vehicle. Connect black and blue barrel connectors to matching black and blue barrel connectors of DVD harness. Figure 25



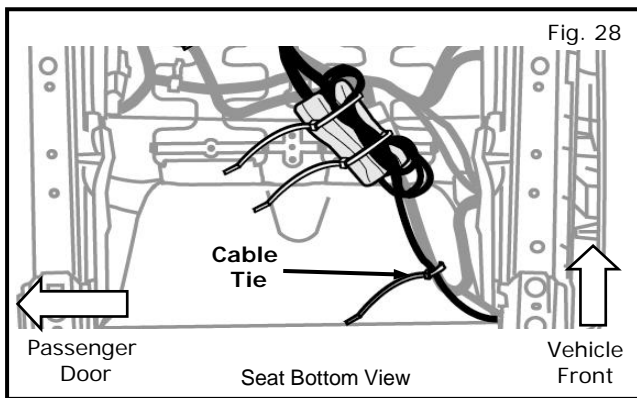
16.16) Secure barrel connectors using two security clamps. Place black barrel connectors into one security clamp and lock closed. Place blue barrel connectors into second security clamp and lock closed. Figure 26

16.17) Apply one piece of foam tape over each security clamp. Figure 26

INSTALLATION PROCEDURE: PASSENGER SIDE (continued)



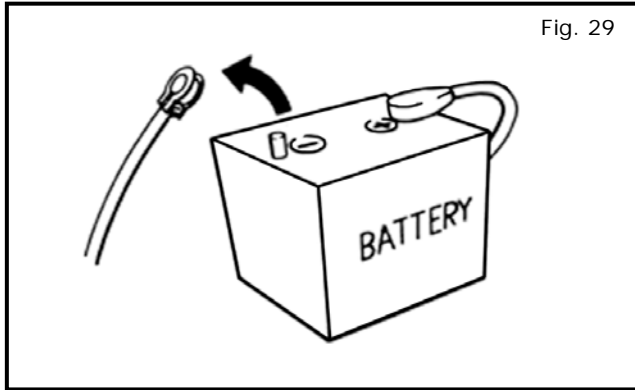
- 16.18) Use two cable ties to secure cable security clamps, cables and cable slack to factory harness. Figure 27
- Group two security clamps and cable slack together with factory harness.
 - Use one cable tie on each side of security clamps (about 1/2" from foam tape ends) to secure.



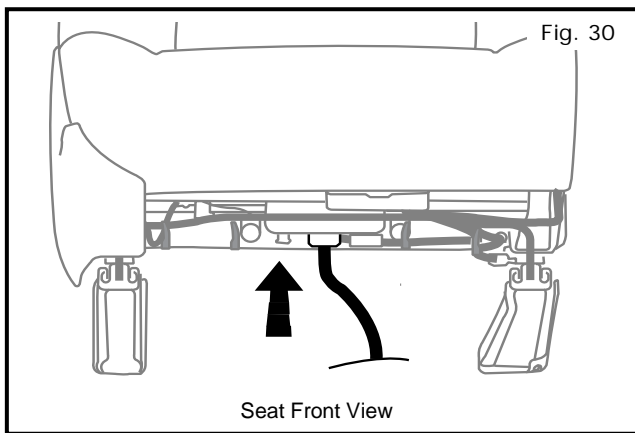
- 16.19) Use one cable tie to secure cables to factory harness. Figure 28
- 16.20) Using diagonal cutters, cut all excess wire ties.
- 16.21) Reattach seat apron j-clamps.
- NOTE: Do not connect vehicle prewire harness to 24-pin jumper harness until step 17.3**
- 16.22) Adjust driver and **Passenger** seats to Full Up and Rearward position.

INSTALLATION PROCEDURE: RESTORE FACTORY PREWIRE HARNESS CONNECTIONS

17) Factory Prewire Harness Connections



- 17.1) Disconnect negative battery terminal to prevent short circuits during installation procedure. Figure 29



- 17.2) Connect factory prewire harness to 16-pin jumper harness under **Driver** seat. Figure 30
- 17.3) Connect factory prewire harness to 24-pin jumper harness under **Passenger** seat. Figure 30

ACCESSORY CHECK:

- Connect the battery negative terminal and tighten the nut to 5.4 N-m (47.8 lb-in).
- Check all Critical Installation Steps.
- Check all torque values.
 - 16.3) Install two M6 flange bolts using a ratchet, a 6" long 1/4" drive extension and a 10mm short swivel socket to tighten two flange bolts.
 - a) Angle ratch and extension through installation grooves in bracket. Figure 17
 - b) Tighten flange bolts (4.5N-m = 40 in-lbs). Figure 17
- Verify all wiring is secure and not exposed.
- Trim all excess cable ties flush.
- Turn ignition switch to "**ACC**" position.
- Confirm accessory main features and functions. Diagnostic flow chart is available on page 16 for troubleshooting.

Press power button on each DVD Headrest Monitor to verify backlighting illuminates and displays NISSAN Logo.

Insert a DVD into each DVD Headrest Monitor to verify DVD players accept discs.

NOTE: Supplied is a dual function Remote Control used to control each DVD Headrest Monitor independently. Press "DVD-A" button to use remote control to operate Driver side DVD Headrest Monitor. Press "DVD-B" button to use remote control to operate Passenger Side DVD Headrest Monitor.

Press Play button on remote control to verify DVD video is displayed on LCD monitors.

Press Power button and AUX button on radio to verify audio from **Driver** Side DVD Monitor can be heard through vehicle speakers.

NOTE: Supplied Wireless Headphones are equipped with a A-B switch to select audio from either Driver Side DVD Headrest Monitor (CH A) or Passenger Side DVD Headrest Monitor (CH B). When sitting in front of Driver Side DVD Headrest Monitor, use CH A switch setting. When sitting in front of Passenger Side DVD Headrest Monitor, use CH B switch setting.

Press and release Power button on wireless headphones to verify audio from DVD can be heard through headphones.

Press STOP button on remote control to verify DVD disc stops playing.

Press EJECT button on each DVD player to verify DVD players eject discs properly.

ACCESSORY CHECK: (continued)

Check all vehicle electrical systems that accessory interfaces with.

Vehicle electrical system 1

Vehicle electrical system 2

FINAL INSPECTION:

Verify vehicle headliner, seat, steering wheel, center console, floor carpets, etc. are not soiled.

Verify interior and exterior is not damaged.

Turn ignition switch to "ON" and confirm proper operation of Vehicle Systems

If equipped, verify all window and sunroof one touch operation and perform the reset procedure if necessary. Refer to vehicle service manual for more details.

Confirm proper audio function (AM, FM, SAT, CD and AUX).

Re-program radio presets and other vehicle settings to the recorded settings.

Start engine and verify that there are no new Diagnostic Trouble Codes. Turn ignition switch to "OFF".

Place Owner's Manual and Quick Reference Guide in glove box.

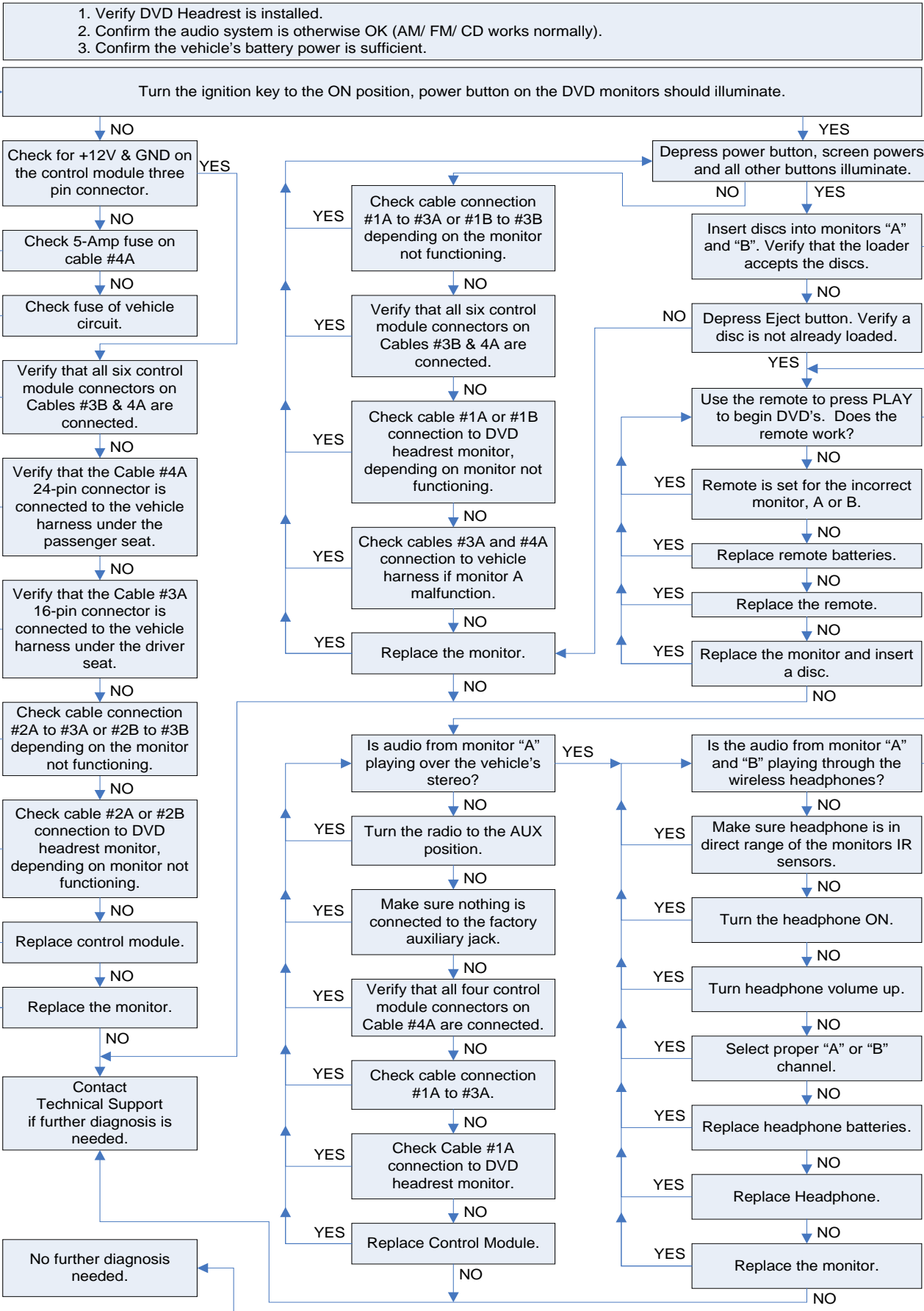
Place Wireless Headphones and Remote Control in vehicle.

Return vehicle to shipping state.

If this vehicle will be returned to a dealer lot or showroom for an extended period of time, be sure extended storage switch is placed in the "inventory" position.

Perform ODS Zero Reset procedure using Consult 3+.

DIAGNOSTIC FLOW CHART:





GENUINE PARTS SERVICE PARTS LIST

APPLICATION: PATHFINDER DUAL DVD HEADRESTRAINT MONITOR

PART NUMBER(S): Dual DVD HeadrestRAINT Monitor Cloth, (G;1) Charcoal - 999U8 XZ005
Dual DVD HeadrestRAINT Monitor Cloth, (H;1) Almond - 999U8 XZ006

No.	Part Name	Description	Service Part Number
1	DVD HDRST MNTR DR	DVD HeadrestRAINT Assembly, Cloth (G;1) Charcoal	999U8 XZ015-01
		DVD HeadrestRAINT Assembly, Cloth (H;1) Almond	999U8 XZ016-01
2	DVD HDRST MNTR AS	DVD HeadrestRAINT Assembly, Cloth (G;1) Charcoal	999U8 XZ015-02
		DVD HeadrestRAINT Assembly, Cloth (H;1) Almond	999U8 XZ016-02
3	DVD HDRST DR	HeadrestRAINT, Cloth (G) Charcoal	999U8 XZ025-01
		HeadrestRAINT, Cloth (H) Almond	999U8 XZ026-01
4	DVD HDRST AS	HeadrestRAINT, Cloth (G) Charcoal	999U8 XZ025-02
		HeadrestRAINT, Cloth (H) Almond	999U8 XZ026-02
5	DVD MNTR DR NISSAN (1)	DVD Monitor, DR, NISSAN (1)	999U8 XZ030
6	DVD MNTR AS NISSAN (1)	DVD Monitor, AS, NISSAN (1)	999U8 XZ031
7	CTL ASSY PREPACK	Controller Assembly and Hardware	999U8 XZ040
8	DVD CTRL & BRK ASSY	Control Module, Bracket and Harness	999U8 XZ043
9	CUSTOMER PREPACK NISSAN (1&2)	Wireless Headphones (2), Remote Control, Owner's Manual and Quick Reference Guide	999U8 XZ075
10	WIRELESS HEADPHONE IR	Wireless Headphone, Infrared (universal)	999U8 VZ042
11	REMOTE CTL IR	Remote Control, Infrared (universal)	999U8 VZ044
12	OWNER MANUAL NISSAN (1&2)	NISSAN Owner's Manual (English/French/Arabic)	999U8 XZ080
13	QUICK REFERENCE GUIDE NISSAN (1&2)	NISSAN Quick Reference Guide (English/French/Arabic)	999U8 XZ081
14	INSTALL PREPACK	Cable Ties, Security Clamps, Foam Tape Strips and 16-Pin Jumper Harness, Driver	999U8 RZ070
15	HRN KIT	Harness Package, Complete System (DR-1; AS-2)	999U8 VZ060-SP

NOTE: The images below depict the appearance of the parts listed above and are not exact representations of each part.

